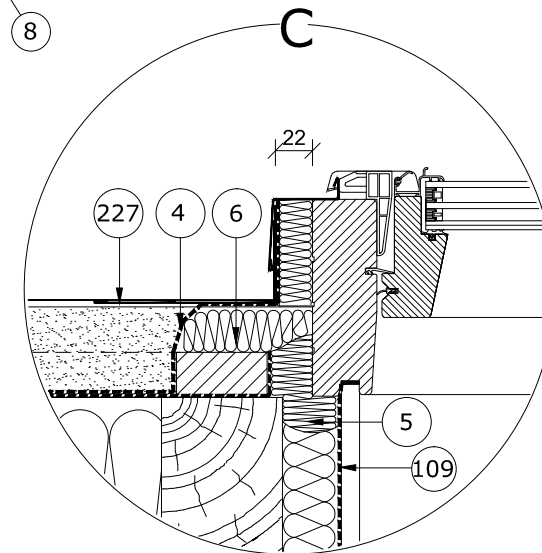
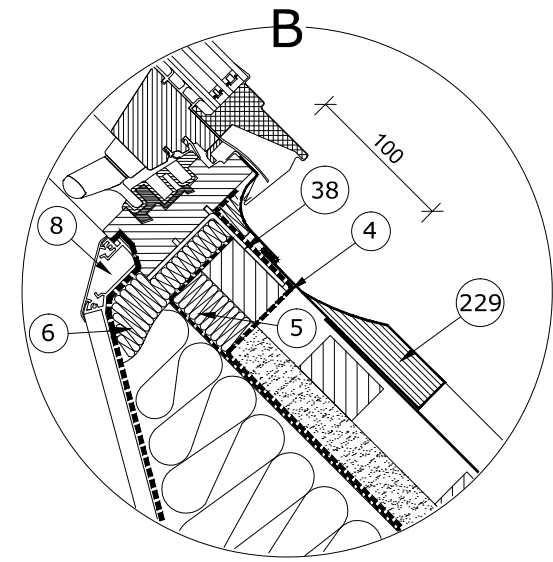
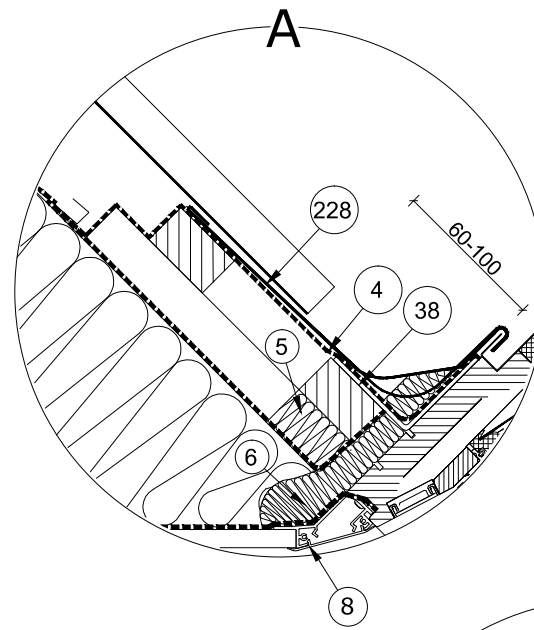
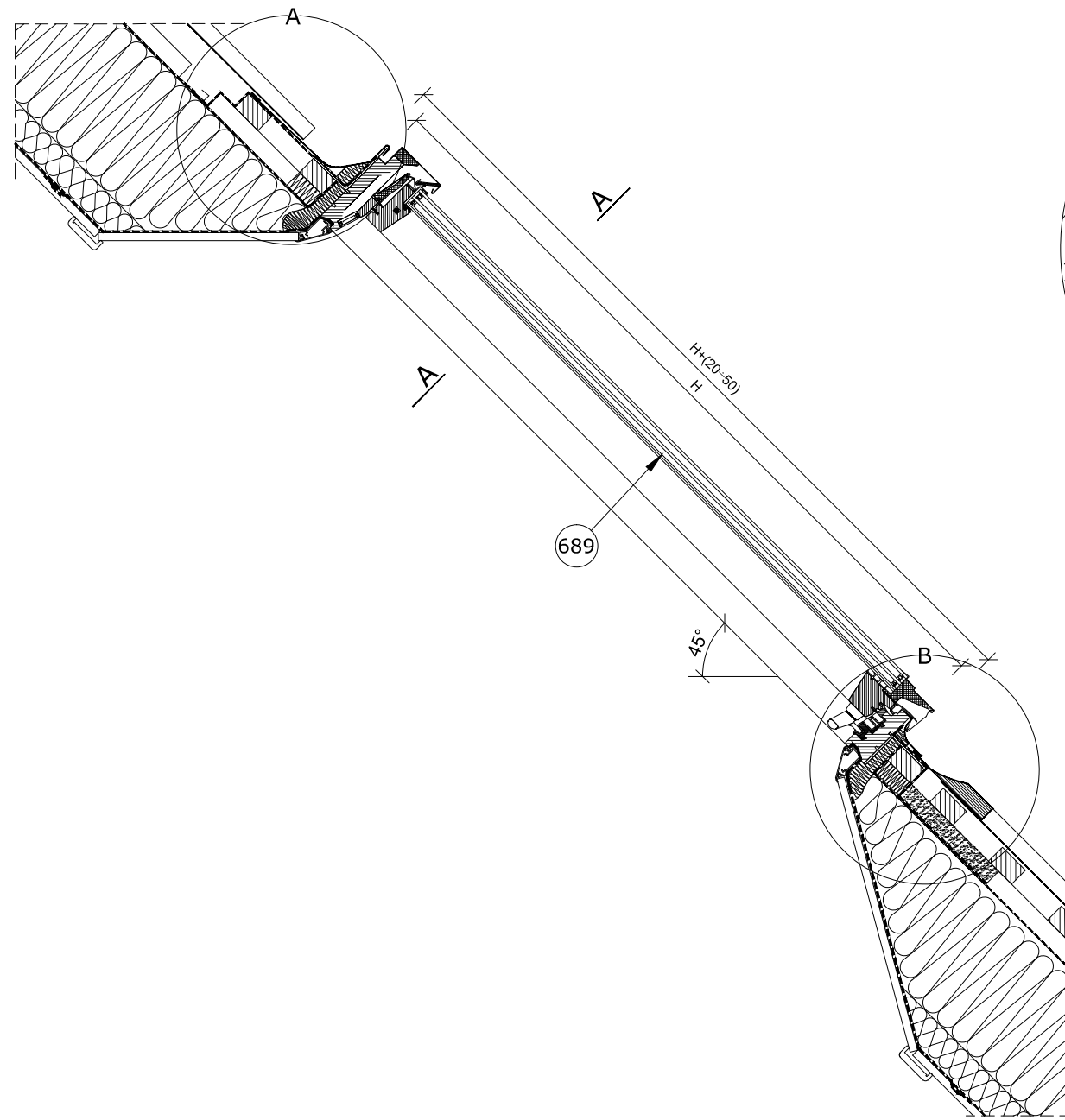
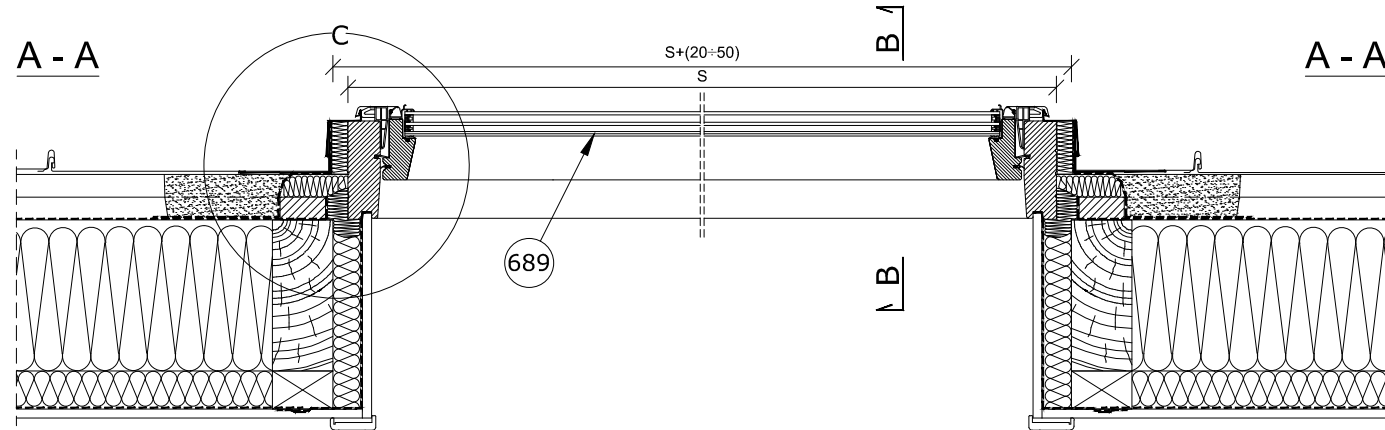


B - B



A - A



FPP-V P5 preSelect

Frame width S[mm]	Frame height H[mm]	Window symbol
477	981	49
	1181	
547	981	02
	1181	16
	1401	
657	981	03
	1181	04
	1401	14
	1601	
777	981	05
	1181	06
	1401	07
	1601	13
	1801	15
937	1181	08
	1401	09
	1601	80
	1801	
1137	981	20

- 1 - Water draining gutter FAKRO
- 4 - XDP FAKRO vapour permeable collar
- 5 - Tress made of sheep wool FAKRO (XDP)
- 6 - Blocks made of sheep wool FAKRO (XDP)
- 8 - XLW internal lining element FAKRO
- 38 - Installation bracket
- 109 - XDS air-tight flashing FAKRO
- 227 - EBV-PT THERMO flashing side element FAKRO
- 228 - EBV-PT THERMO flashing upper element FAKRO
- 229 - EBV-PT THERMO flashing lower element FAKRO
- 689 - FPP-V P5 preSelect FAKRO

- ¹ 15°-55° without ARZ
- ² 25°-55° with ARZ
- ³ 15°-55° without ARZ
- ⁴ 15°-55° without ARZ
- ⁵ 35°-55° without ARZ

FAKRO	FPP-V P5	EBV-PT THERMO	METAL ROOF PANEL	XLW	15° - 55°
Vertical and horizontal cross-section: PTP-V P5 roof window with EBV-PT THERMO flashing. Metal roof panel.			FORMAT: A3	SCALE: 1:10/1:5	DATE: 01.2018

Warning! The present drawing is for informational-demonstrative purposes only and as such cannot constitute a basis for performance. All dimensions presented in this drawing should be verified on site. Because of the fact that the drawing is a schematic one, FAKRO shall not assume any responsibility for the actual installation quality on the roof. This drawing is FAKRO's property and cannot be published or used publicly without our written consent.