

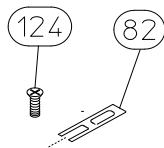
# SCHOTT *Termofrost*<sup>®</sup>

Spare parts Cold Room

Europe



**DOOR page 8**



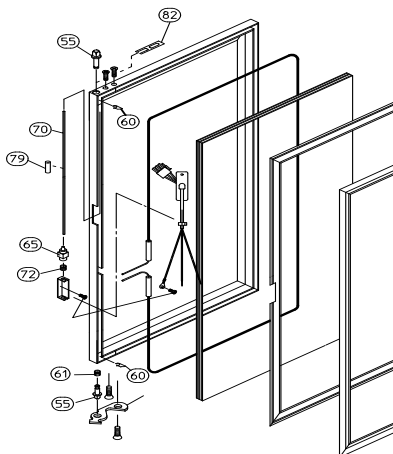
**Description**

Complete lock plate kit  
 Pos 82 Lock plate  
 Pos 124 Screw  
 + Hexagon key 4 mm  
 Kit for all Cold Room doors

**Article No.**

100298

**DOOR page 8**



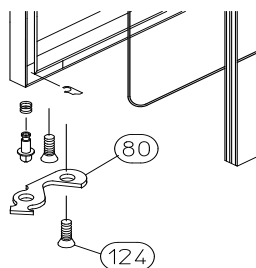
**Complete Torsion spring kit**

Contents:  
 Pos 55 (x2) Hinge pin  
 Pos 60 (x2) Lock pin  
 Pos 61 Spring  
 Pos 65 Adjuster  
 Pos 70 Torsions spring  
 Pos 72 Adjuster spring  
 Pos 79 Holder  
 Pos 82 Lock plate  
 Pos 124 Screw  
 + Hexagon key 4 mm

Kit for T45-T66-T76-T82  
 Kit for S66-S76-S90  
 Kit for R66-R76  
 Kit for W76

100688  
 100708  
 100689  
 100691

**DOOR page 8**



**Complete Door stop plate kit**

Contents:  
 Pos 80 Door stop plate  
 Pos 124 Screw  
 + Lock plate  
 + Hexagon key 4 mm

Kit for all Cold Room doors

100714

**DOOR page 8**

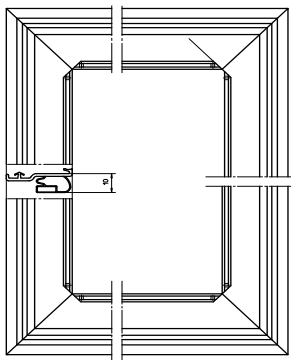
PVC Heater for standard door 5.2 W/m  
 For LT doors only

T66 L=4462 mm  
 T76 L=4664 mm  
 T82 L=4790 mm  
 S66 L=4918 mm  
 S76 L=5064 mm  
 S90 L=5530 mm  
 W76 L=5444 mm

709306  
 709307  
 709343  
 709318  
 709311  
 709350  
 709326

**DOOR page 8**

Gasket  
(outboard) **Black**



**Description**

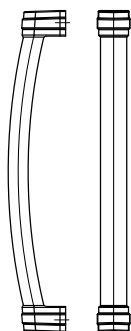
Gasket pos100  
 T45 M=427x1601 mm  
 T66 M=659x1601 mm  
 T76 M=760x1601 mm  
 T82 M=820x1601 mm  
 S56 M=560x1801 mm  
 S66 M=659x1801 mm  
 S76 M=760x1801 mm  
 S90 M=900x1801 mm  
 R56 M=560x1903 mm  
 R66 M=659x1903 mm  
 R76 M=760x1903 mm  
 W76 M=760x2031 mm

**Article No.**

732372  
 732301  
 732302  
 793910  
 793950  
 732310  
 732311  
 793937  
 793958  
 732306  
 732303  
 732396

**DOOR page 8**

Handle L=300 mm



Complete with screw  
 Grey painted

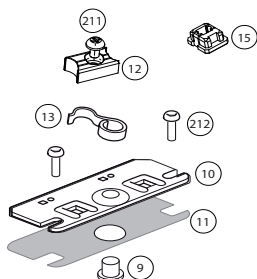
105111

Only handle  
 Black coloured throughout  
 Grey painted

670302  
 670305

**FRAME page 7**

Frame hinge plate kit



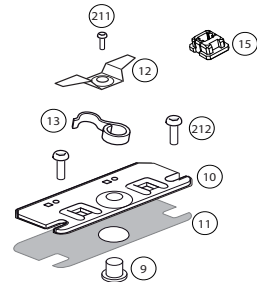
Complete hinge plate kit  
 Contents:  
 Pos 9 Pin for hinge plate  
 Pos 10 Hinge plate  
 Pos 11 Underlay plate  
 Pos 12 Spring guard  
 Pos 13 Hold open spring  
 Pos 15 Upper bushing  
 Pos 211 Screw  
 Pos 212 (x2) Screw  
 + Hexagon key 4 mm

For all Cold Room frames

100684

**FRAME page 7**

Frame hinge plate kit

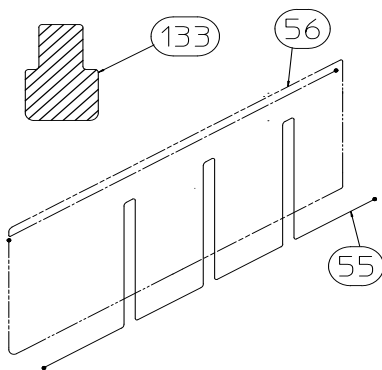


Complete hinge plate kit  
 Contents:  
 Pos 9 Pin for hinge plate  
 Pos 10 Hinge plate  
 Pos 11 Underlay plate  
 Pos 12 Spring guard  
 Pos 13 Hold open spring  
 Pos 15 Upper bushing  
 Pos 211 Screw  
 Pos 212 (x2) Screw  
 + Hexagon key 4 mm

For all Roll In frames

105101

**FRAME page 7** Complete heater kit LT



Note 1. Valid on frames produced from 1990.  
 For previous frames please ask for information on location of heaters.  
 Note 2. Only pos. 56 (x2) is used for one door frames (1-1)  
 Note 3. For other types of frames as T82 and S90 ask for information.

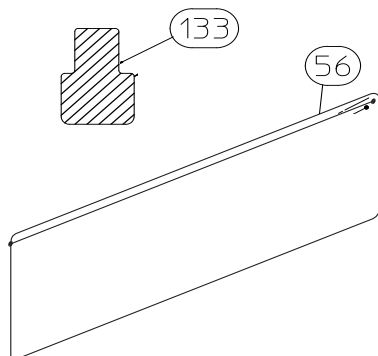
**Description**

Complete heater kit LT  
 Contents:  
 Pos 55 Type 7463 Mullion  
 Pos 56 Type 7564 Frame  
 Pos 133 Top connector  
 T66 1-1 LT  
 T66 1-2 LT  
 T66 1-3 LT  
 T66 1-4 LT  
 T66 1-5 LT  
 T76 1-1 LT  
 T76 1-2 LT  
 T76 1-3 LT  
 T76 1-4 LT  
 T76 1-5 LT  
 S66 1-1 LT  
 S66 1-2 LT  
 S66 1-3 LT  
 S66 1-4 LT  
 S66 1-5 LT  
 S76 1-1 LT  
 S76 1-2 LT  
 S76 1-3 LT  
 S76 1-4 LT  
 S76 1-5 LT

**Article No.**

105301  
 105302  
 105303  
 105304  
 105305  
 105306  
 105307  
 105308  
 105309  
 105310  
 105311  
 105312  
 105313  
 105314  
 105315  
 105316  
 105317  
 105318  
 105319  
 105320

**FRAME page 7** Complete heater kit NT



Note 1. Valid on frames produced from 1990.  
 For previous frames please ask for information on location of heaters.  
 Note 2. For other types of frames as T82 and S90 ask for information.

**Complete heater kit NT**

Contents:  
 Pos 56 Type 7563 Frame  
 Pos 133 Top connector  
 T66 1-1  
 T66 1-2  
 T66 1-3  
 T66 1-4  
 T66 1-5  
 T76 1-1  
 T76 1-2  
 T76 1-3  
 T76 1-4  
 T76 1-5  
 S66 1-1  
 S66 1-2  
 S66 1-3  
 S66 1-4  
 S66 1-5  
 S76 1-1  
 S76 1-2  
 S76 1-3  
 S76 1-4  
 S76 1-5

105323  
 105324  
 105325  
 105326  
 105327  
 105328  
 105329  
 105330  
 105331  
 105332  
 105333  
 105334  
 105335  
 105336  
 105337  
 105338  
 105339  
 105340  
 105341  
 105342

**Electrical filter**



Filter for electrical suppression

218027

FRAME page 7 Lampcover	Description	Article No.
	<p>Standard for NT from 1991 →                      L=1223 mm 36 W                      L=1523 mm 58 W</p> <p>Standard for LT from 1991 →                      L=1523 mm</p>	<p>750903                      750901</p> <p>201703</p>
FRAME page 7 Tubeguard	<p>Complete Tubeguard kit for T8                      Contents:</p> <p>Protective plastic tube                    1478mm                      Lampcover                                    1523mm                      End caps</p>	<p>1 st                    105152                      10 st                105153</p>
FRAME page 7 Lampcover	<p>Standard from 1981 to 1991                      L=1528 mm 58 W</p>	202119
	<p>Standard before 1981.                      With strip sealing on the edges</p> <p>L=1529 65W</p>	201699
FRAME page 7 Lampcover		

**Strip seal**



**Description**

Used between double doors  
R-height = 1903 mm

**Article No.**

105105

**Maxi II spare parts 87-89**



Gas bumper 494502  
Locking washer(x2) 495107  
Complete kit

105104

**Maxi II spare parts 87-89**



Toggle joint for gas bumper

490406

**FRAME page 7 Ballast**

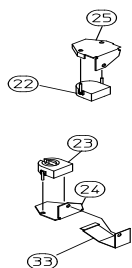


Pos 222  
Standardlighting  
Knobel Perfektstart  
Electronic  
Ballast single 58 Eco  
Ballast double 58-2 Eco  
  
Hilite T5x35W  
Ballast, double HF 235

747135  
747136

747182

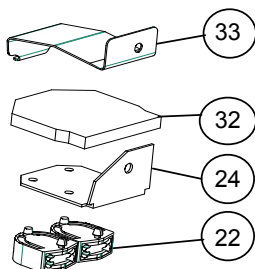
**FRAME page 7 Lighting details kit**



Complete lighting details kit T8  
Contents:  
Pos 22 Upper socket  
Pos 23 Socket with spring  
Pos 24 Lower bracket  
Pos 25 Upper bracket  
Pos 33 Hold down spring  
+ screw (X2)  
For all Cold Room frames

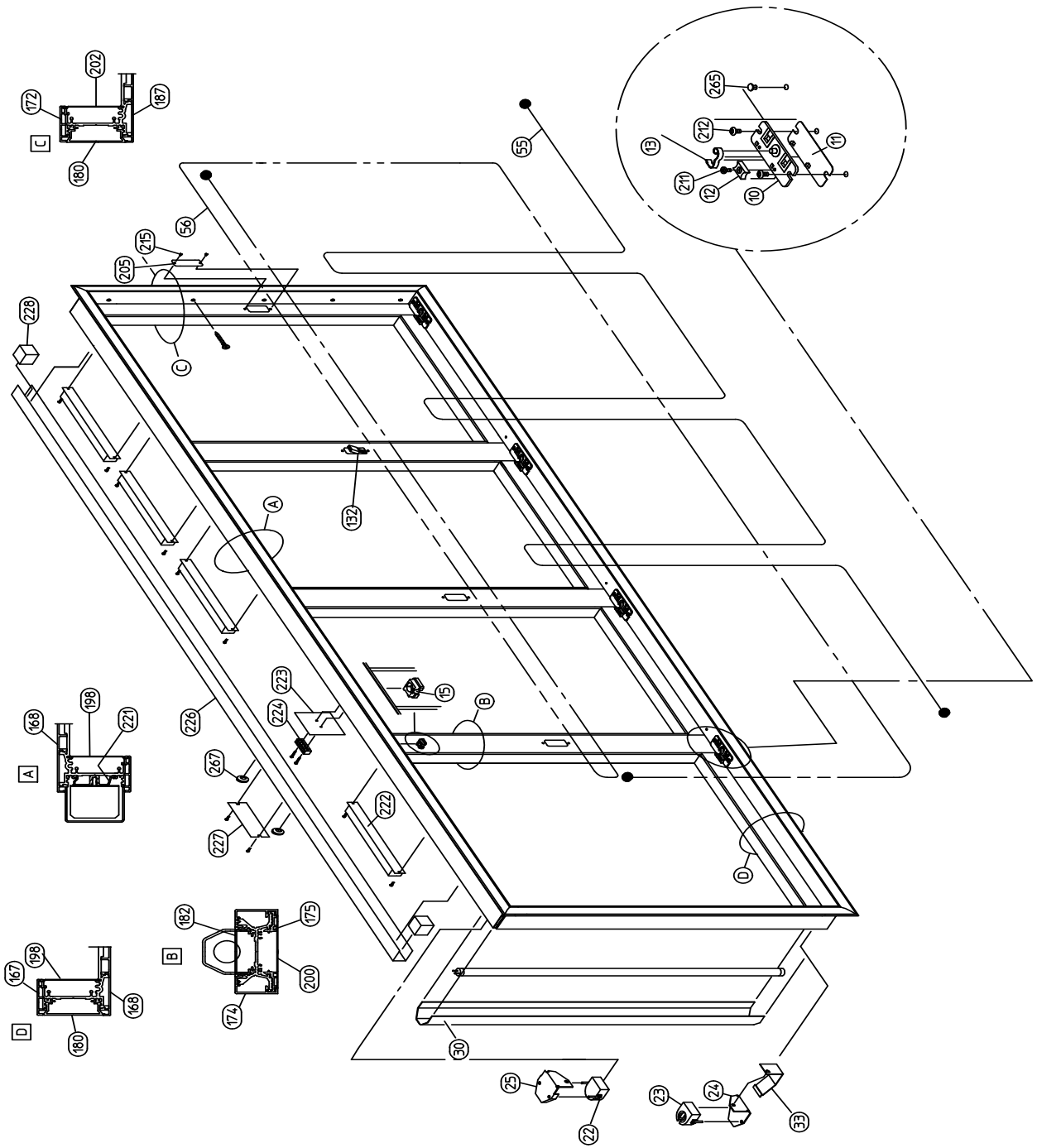
105150

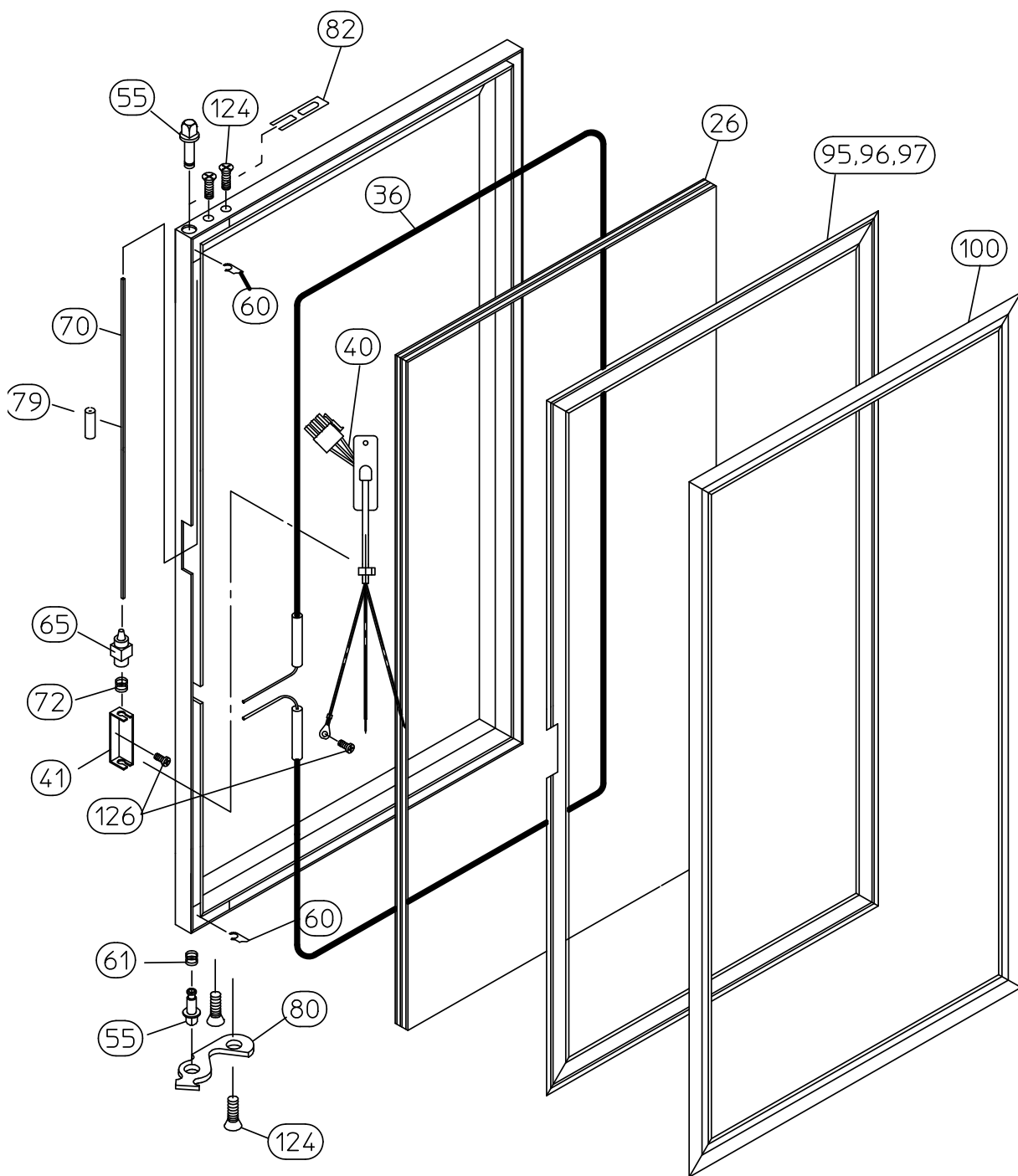
**FRAME page 7 Lighting details kit**



Complete lighting details kit for Hilite, T5  
Contents:  
Pos 33 Hold down spring  
Pos 32 Sealing block  
Pos 24 Bracket  
Pos 22 Socket

105151







---

## GENERAL CONDITIONS

### Terms of delivery

FCA Arvika.

---

### Delivery time

Delivery time to be agreed upon at order entry.

---

### Guarantee

Guarantee in accordance with "General Conditions for Delivery from SCHOTT Termofrost AB" is given for a period of twelve (12) months from delivery date. In addition, an extended guarantee period of five (5) years from delivery date is given on:

- Interior condensation in insulated glass packages.
  - Function of heated coating on Iso pack/doors.
- 

### Validity of pricelist

From 2009-12-01

Subject to changes without prior notice.

---

### Terms of payment

Full payment to be made no later than 30 days from delivery date.

---

### Miscellaneous

Other terms and conditions in accordance with "General Conditions for Delivery from Schott Termofrost AB".

---